

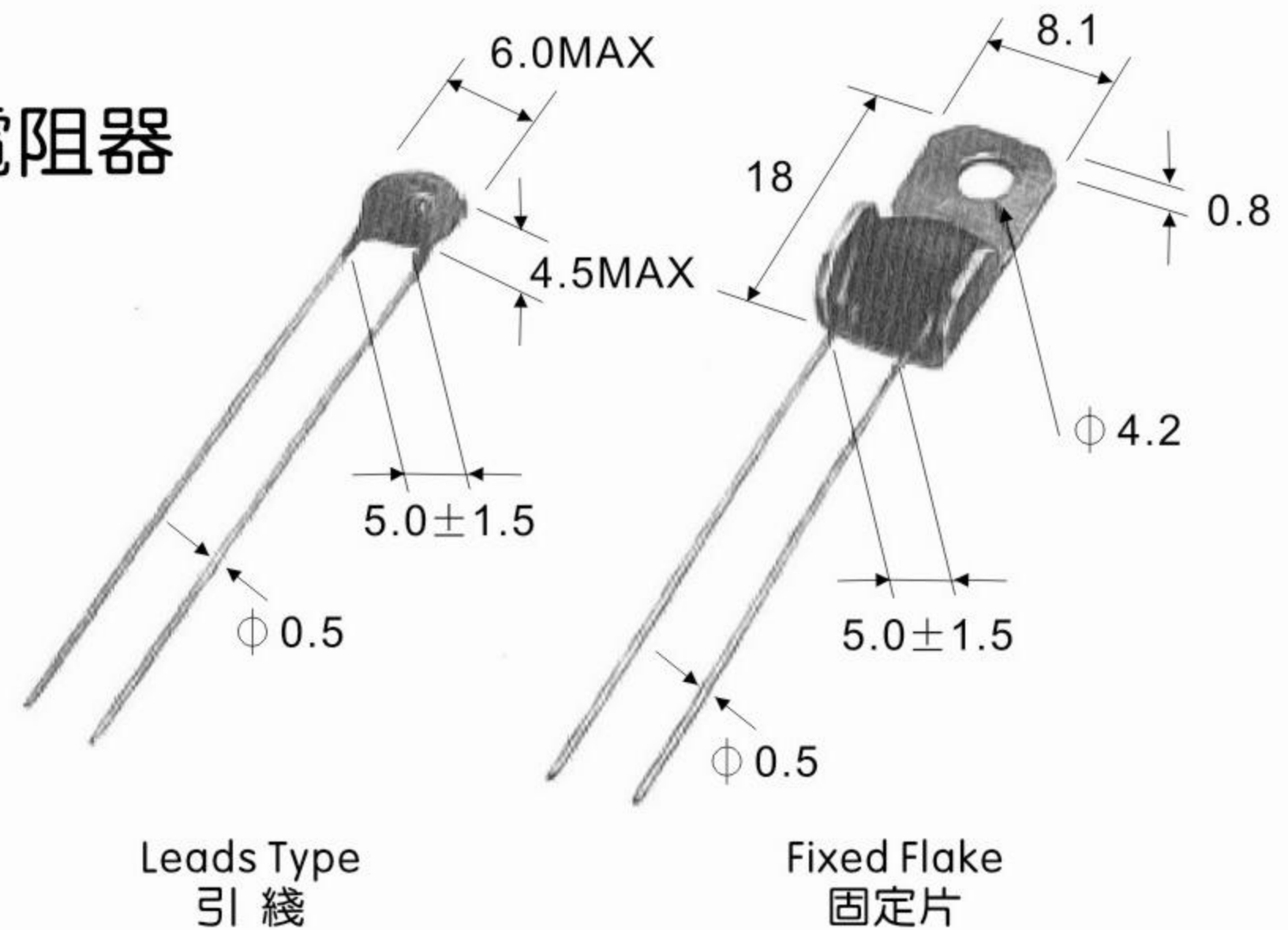
ZMZ12D Series

PTC THERMISTORS 正溫度系數熱敏電阻器

用于過熱保護 -For Thermal Protection/Sensors

概述 GENERAL

- ZMZ12D系列PTC熱敏電阻器作為溫度控制器應用于風扇馬達和晶體管、可控硅等電源電路溫度控制、過熱保護。
- ZMZ12D series PTC thermistors is a temperature indicator for indicating any overheating of fan motors and power transistors, thyristors in the power source etc.



HOW TO ORDER

ZMZ12D 800 A 102 N L S B N

系列Series: ZMZ12D
 標稱動作溫度
 Rated-Action Temperature T_{NF}
 600=60°C, 101=100°C, 131=130°C.
 Max. Diameter D_{max}: 外徑
 (A=φ6.5, S=φ4.5, L=φ5.5)
 額定零功率電阻R_N
 Rated zero power resistance
 102=1200Ω, 500=50Ω
 阻值誤差
 Tolerance of Resistance
 (N=±30%, P=±50%, V=±25%,
 M=±20%, K=±10%, X=Else其它)

N: 符合ROHS要求
 N: Compliance with ROHS directive
 Packing包裝:
 B: Bulk散裝, A: Ammo盒裝, R: Reel捲裝
 Coating material包封材料:
 S: Silicone矽(硅)樹脂, N: No coating無包封,
 P: PF Resin酚醛樹脂, E: Epoxy環氧樹脂
 Fixed Type固定方式:
 L: Leads引綫, F: Fixed Flake固定片

規格 Specifications

No. 序號	Rated zero-power resistance 額定零功率電阻 R _N (Ω)	Rated-Action Temperature 標稱動作溫度 T _{NF} (°C)	Low Temp. Indication 下限溫控點		High Temp. Indication 上限溫控點	
			T _L (°C)	R _L (Ω)	T _H (°C)	R _H (Ω)
01	40~120 (80)	60	55	≅ 570	65	>570
02	40~120 (80)	70	65	≅ 570	75	>570
03	40~120 (80)	80	75	≅ 570	85	>570
04	40~120 (80)	90	85	≅ 550	95	≅ 1,100
05	40~120 (80)	100	95	≅ 550	105	≅ 1,100
06	40~120 (80)	110	105	≅ 550	115	≅ 1,100
07	40~120 (80)	120	115	≅ 550	125	≅ 1,100
08	40~120 (80)	130	125	≅ 550	135	≅ 1,100
09	40~120 (80)	140	135	≅ 550	145	≅ 1,100
10	40~120 (80)	150	145	≅ 550	155	≅ 1,100
11	40~120 (80)	160	155	≅ 550	165	≅ 1,100
12	40~120 (80)	170	165	≅ 550	175	≅ 1,100
13	40~120 (80)	180	175	≅ 550	185	≅ 1,100
14	1,200±20%	40	25	1,200±20%	40	≅ 4.2K
15	3,000±20%	40	25	3,000±20%	40	≅ 9.0K
16	3,200±20%	40	25	3,200±20%	40	≅ 11K
17	7,000±20%	40	25	7,000±20%	40	≅ 22K
18	1,000±20%	83	78	≅ 50K	87	≅ 100K
19	1,000±20%	88	84	≅ 50K	91	≅ 100K