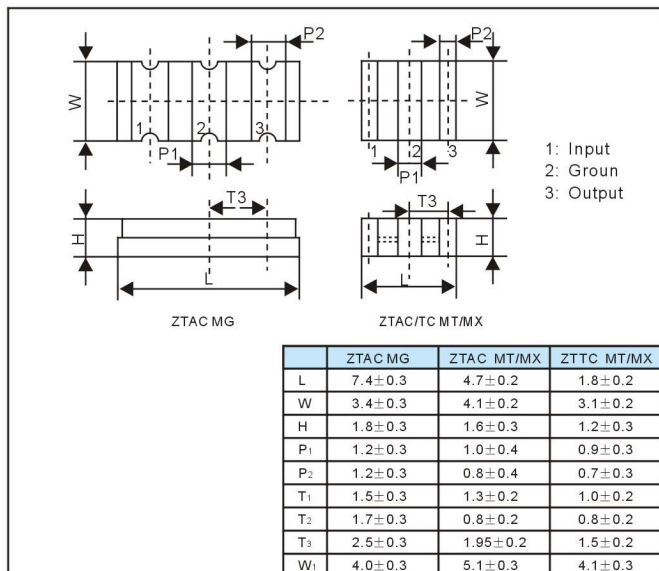


Series ZTAC ZTTC



External dimensions

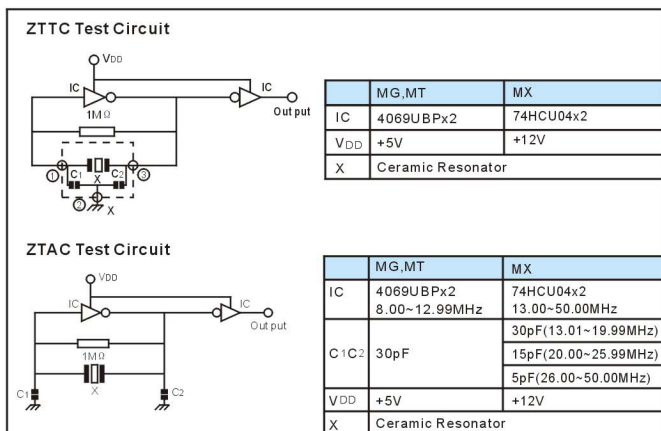
Unit: mm



Item	Specification	Remarks
Series	ZTAC ZTTC	
Nominal Frequency Range	2.00MHz to 6.99MHz 6.00MHz to 13.00MHz	MG MT/MX
Frequency Accuracy(25°C)	±0.5% Max	Others are offered
Stability In Temperature	±0.3%	-20°C to +80°C
Operating Temperature Range	-20°C to +80°C	
Storage Temperature Range	-30°C to +85°C	
Rating Voltage	D.C.Voltage 6V Max A.C.Voltage 15Vpp	D.C. A.C.
Resonant Impedance	≤3.00MHz, 50 Ω Max; >3.00MHz, 30 Ω Max	
Insulated Resistance	≥100M Ω	D.C.10V
Withstanding Voltage	50VDC 1 minute	Maximum
Aging For Ten Years	±0.3%	Maximum

Remark: All specifications subject to change without notice.

Typical Performance

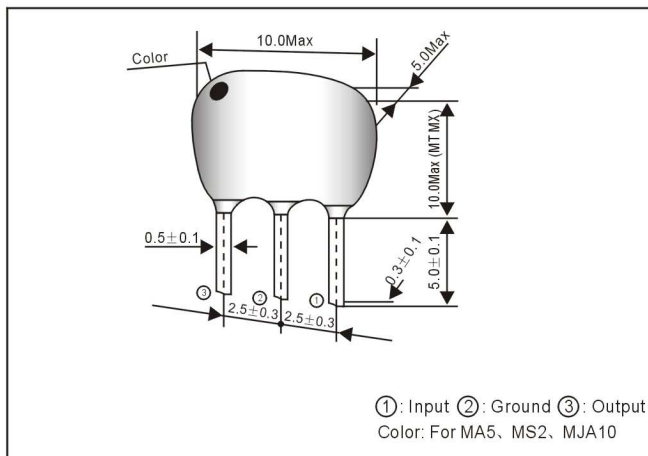


Series LT10M7



External dimensions

Unit: mm



Item	Specification	Remarks
Series	LT10.7MA5 LT10.7MS2 LT10.7MJA10	
3dB Bandwidth	280 ± 50KHz 180 ± 40KHz 150 ± 40KHz	Minimum
20dB Bandwidth	650KHz 520KHz 400KHz	Maximum
Insertion Loss	6.0dB 7.0dB 10.0dB	Maximum
Spurious Attenuation	30dB 40dB 38dB	Minimum (9~12MHz)
Center Frequency	10.64MHz ± 30KHz 10.67MHz ± 30KHz 10.70MHz ± 30KHz 10.73MHz ± 30KHz 10.76MHz ± 30KHz	Black Blue Red Orange White
Operating Temperature Range	-20°C to +80°C	
Storage Temperature Range	-30°C to +85°C	
Insulated Resistance	≥100M Ω	D.C.100V
Withstanding Voltage	D.C.50V 1 minute	Maximum

Remark: All specifications subject to change without notice.

Typical Performance

