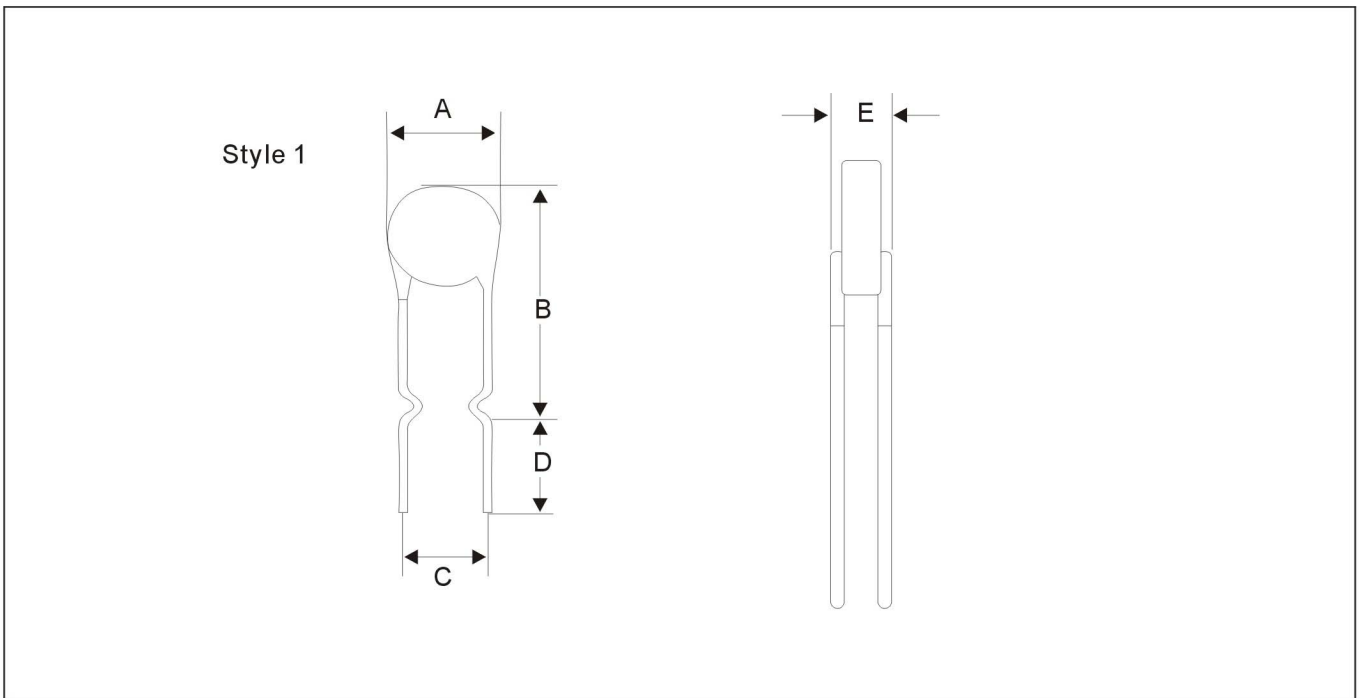


Construction and Dimensions



Model	A Max	B Max	C		D Min	E Max	Physical characteristics		
			Nom	Tol±			Style	Lead	Material
RDL60V010	7.4	12.7	5.1	0.7	7.6	3.1	1	0.51dia.	Sn/CuFe
RDL60V017	7.4	12.7	5.1	0.7	7.6	3.1	1	0.51dia.	Sn/CuFe
RDL60V020	7.4	12.2	5.1	0.7	7.6	3.1	1	0.51dia.	Sn/CuFe
RDL60V025	7.4	12.7	5.1	0.7	7.6	3.1	1	0.51dia.	Sn/CuFe
RDL60V030	7.4	13.0	5.1	0.7	7.6	3.1	1	0.51dia.	Sn/CuFe
RDL60V040	7.6	13.5	5.1	0.7	7.6	3.1	1	0.51dia.	Sn/CuFe
RDL60V050	7.9	13.7	5.1	0.7	7.6	3.1	1	0.51dia.	Sn/Cu
RDL60V065	9.7	14.5	5.1	0.7	7.6	3.1	1	0.51dia.	Sn/Cu
RDL60V075	10.4	15.2	5.1	0.7	7.6	3.1	1	0.51dia.	Sn/Cu
RDL60V090	11.7	15.8	5.1	0.7	7.6	3.1	1	0.51dia.	Sn/Cu
RDL60V110	13.0	18.0	5.1	0.7	7.6	3.1	1	0.81dia.	Sn/Cu
RDL60V135	14.5	19.6	5.1	0.7	7.6	3.1	1	0.81dia.	Sn/Cu
RDL60V160	16.3	21.3	5.1	0.7	7.6	3.1	1	0.81dia.	Sn/Cu
RDL60V185	17.8	22.9	5.1	0.7	7.6	3.1	1	0.81dia.	Sn/Cu
RDL60V250	21.3	26.4	10.2	0.7	7.6	3.1	1	0.81dia.	Sn/Cu
RDL60V300	24.9	30.3	10.2	0.7	7.6	3.1	1	0.81dia.	Sn/Cu
RDL60V375	28.5	33.5	10.2	0.7	7.6	3.1	1	0.81dia.	Sn/Cu