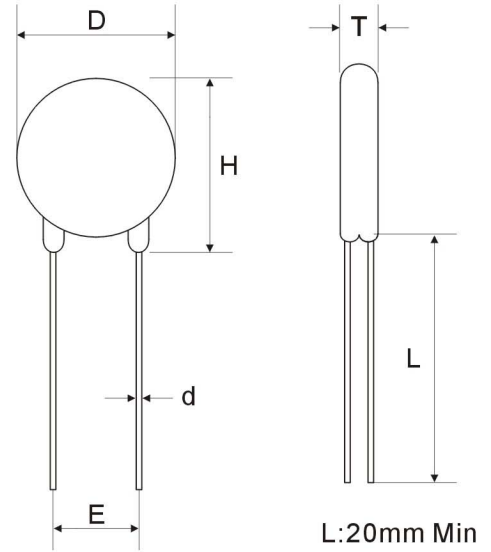


## Dimensions in mm

### T THICKNESS(max.)

Part Code	DO5	DO7	DO10	DO14	DO20
182K				14.4	14.8
152K				12.0	12.4
112K			9.7	9.7	10.1
102K			9.1	9.1	9.5
911K			8.6	8.6	9.0
821K		7.9	8.1	8.1	8.5
781K		7.7	7.9	7.9	8.3
751K	7.3	7.5	7.8	7.8	8.2
681K	7.1	7.3	7.4	7.4	7.8
621K	7.1	7.1	7.1	7.1	7.5
561K	6.2	6.4	6.5	6.5	7.0
511K	6.2	6.4	6.5	6.5	7.0
471K	6.0	6.0	6.5	6.5	7.0
431K	5.7	5.7	6.2	6.2	6.7
391K	5.4	5.4	5.8	5.8	6.4
361K	5.2	5.2	5.7	5.7	6.2
331K	5.1	5.1	5.6	5.6	6.0
301K	5.0	5.0	5.3	5.3	5.7
271K	4.9	4.9	5.2	5.2	5.6
241K	4.6	4.6	5.0	5.0	5.4
221K	4.5	4.5	4.9	4.9	5.3
201K	4.4	4.4	4.8	4.8	5.2
181K	4.3	4.3	4.8	4.8	5.2
151K	4.8	4.8	5.2	5.2	5.6
121K	4.5	4.5	4.9	4.9	5.3
101K	4.3	4.3	4.7	4.7	5.1
820K	4.1	4.1	4.5	4.5	4.9
680K	4.5	5.2	5.3	5.3	5.8
560K	4.5	5.0	5.1	5.1	5.7
470K	4.5	4.9	5.0	5.0	5.6
390K	4.5	4.8	4.9	4.9	5.5
330K	4.5	4.9	5.0	5.0	
270K	4.5	4.7	4.8	4.8	
220K	4.5	4.6	4.7	4.7	
180L	4.5	4.5	4.6	4.6	



SIZE	D MAX.	H MAX.	d	F
D05	7.5	10.5	0.6	50.8
D07	9	12	0.6	50.8
		14		5.50.8
D10	14	17	0.8	7.50.8
		19		80.8
D14	17	20	0.8	7.50.8
		22		80.8
D20	25	28	0.8	7.50.8
		30		10