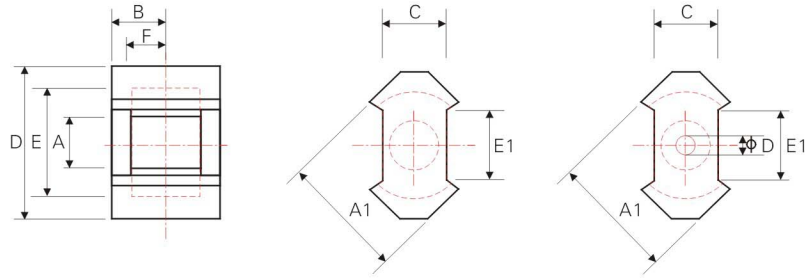
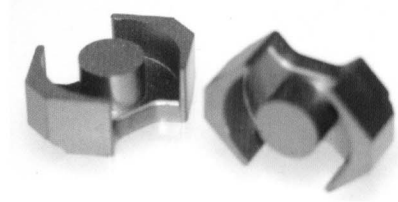


RM Series

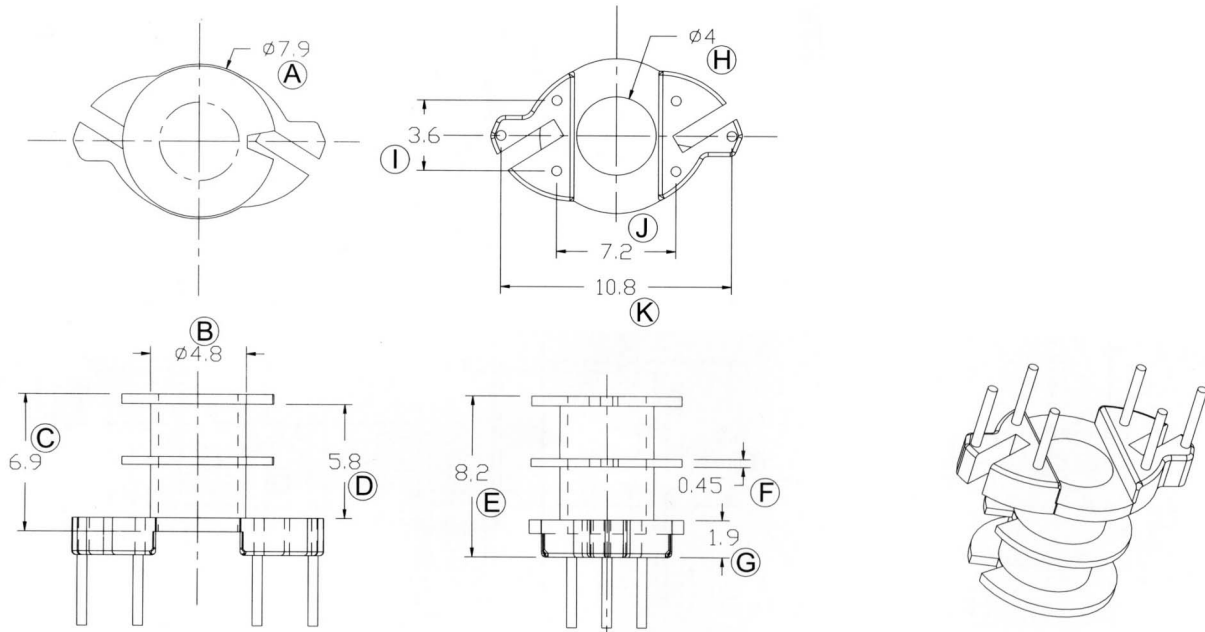
變壓器係根據客戶提供的規格書及bobbin的結構設計。
Transformer is based on a customers' specifications, demand and construction of bobbin to set up.

How To Order

HG702	RM5	(M)	- □ □ □ □
材質 Material	規格 Core Size	鏡面拋光 Mirror Lapping	Code



Construction of Bobbin



規格 Core size	Fig	尺寸 Dimensions(mm)								
		A	A1	B	C	D	φD	E	E1(min)	F
RM-5A	1	14.65±0.25	12.05±0.4	5.2±0.1	6.6±0.2	4.8±0.15		10.4±0.2	6.0	3.325±0.2
RM-6A	1	17.6±0.3	14.4±0.3	6.2±0.1	8.0±0.2	6.3±0.15		12.65±0.25	8.4	4.2±0.2
RM-6B	2	17.6±0.3	14.4±0.3	6.2±0.1	8.0±0.2	6.3±0.15	2.95 ^{+0.2} ₋₀	12.65±0.25	8.4	4.2±0.2
RM-8	1	22.75±0.45	19.35±0.35	8.2±0.15	10.8±0.3	8.4±0.25		17.3±0.3	9.8	5.5±0.2
RM-10	1	27.85±0.65	24.15±0.55	9.3±0.2	13.25±0.3	10.7±0.3		21.65±0.45	11.3	6.35±0.15

規格 Core size	有效參數 Effective parameters				電感因數 AL(nH/N ²) ± 25%					
	C1 (mm ⁻¹)	Ae (mm ²)	Le (mm)	Ve (mm ³)	HG302	HG502 HS502	HG702 HS702	HG103 HS103	HG123	HG153
RM-5A	0.94	23.7	22.4	530.0		3500	5700	6700	8370	11160
RM-6A	0.78	36.6	28.6	1050		4300	7300	8600		
RM-6B	0.86	31.0	27.0	840.0		3900	6620	7800		
RM-8	0.59	64.0	38.0	2430		5700	9700	12500	15600	20800
RM-10	0.451	98.0	44.0	4310		7600	12750	16000	20000	26600