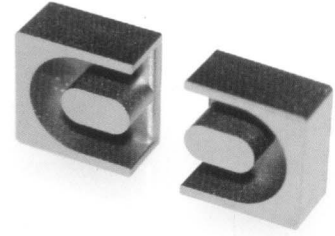


## EPO Series

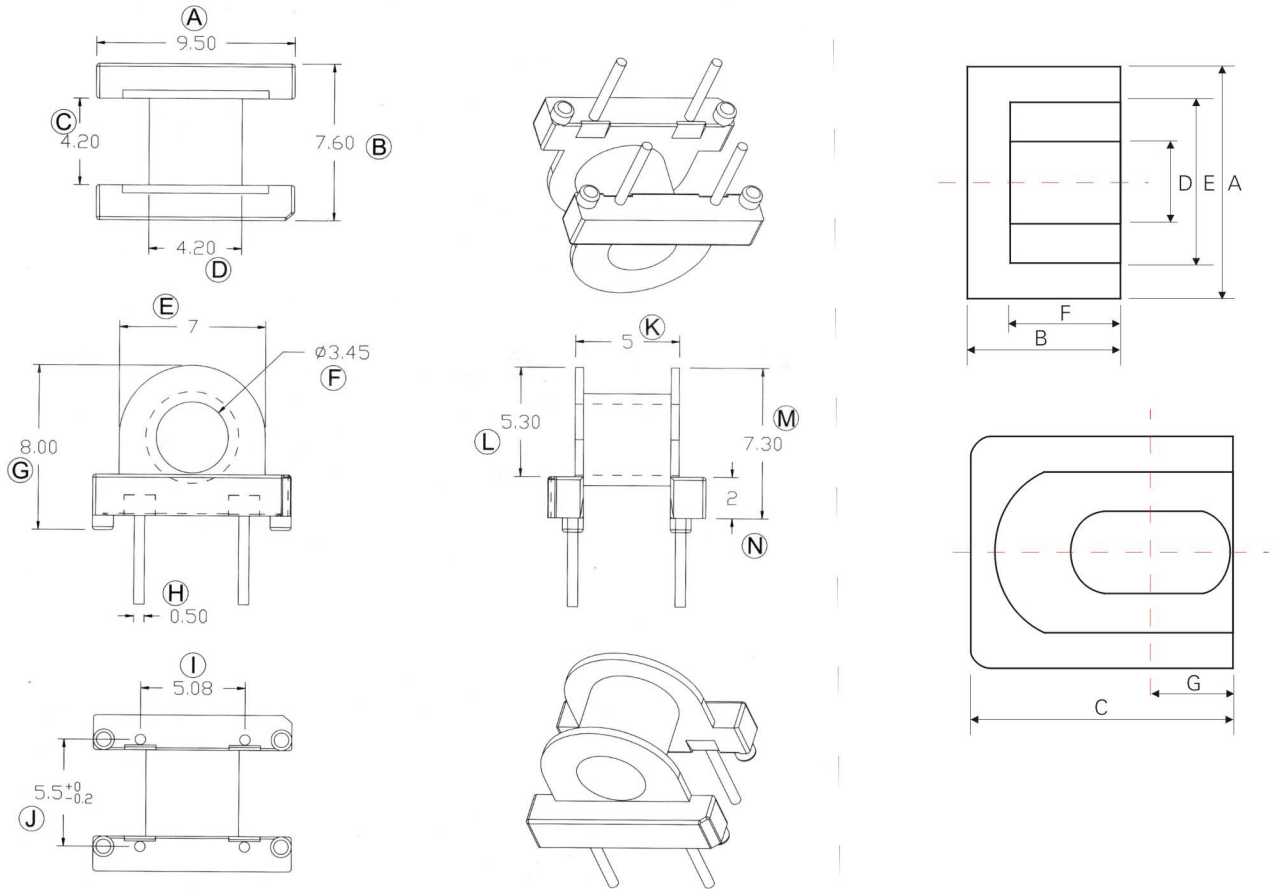
變壓器係根據客戶提供的規格書及bobbin的結構設計。  
Transformer is based on a customers' specifications, demand and construction of bobbin to set up.

### How To Order

HG103	EPO7	(M)	- □ □ □ □
材質 Material	規格 Core Size	鏡面拋光 Mirror Lapping	Code



### Construction of Bobbin



210

規格 Core size	尺寸 Dimensions(mm)						有效參數 Effective parameters			
	A	B	C	D	E	F	C1 (mm <sup>-1</sup> )	Ae (mm <sup>2</sup> )	Le (mm)	Ve (mm <sup>3</sup> )
EPO 7	9.6 <sup>+0</sup> <sub>-0.4</sub>	3.75±0.1	8.8±0.2	3.3±0.1	7.7±0.2	2.4±0.15	0.88	17.7	15.6	276.0
EPO 9.5	9.6 <sup>+0</sup> <sub>-0.5</sub>	4.35±0.2	10.0±0.2	3.1±0.1	7.6±0.2	3.0±0.15	1.45	15.0	11.7	175.5

規格 Core size	電感因數 AL(nH/N <sup>2</sup> ) ± 25%					
	HG302	HG502 HS502	HG702 HS702	HG103 HS103	HG123	HG153
EPO 7			7000	9000	11000	
EPO 9.5			6500	8500	10500	