

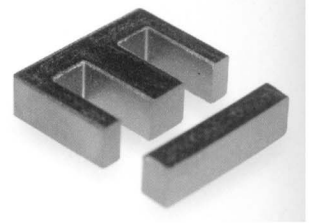
## EI Series

變壓器係根據客戶提供的規格書及bobbin的結構設計。  
Transformer is based on a customers' specifications, demand and construction of bobbin to set up.

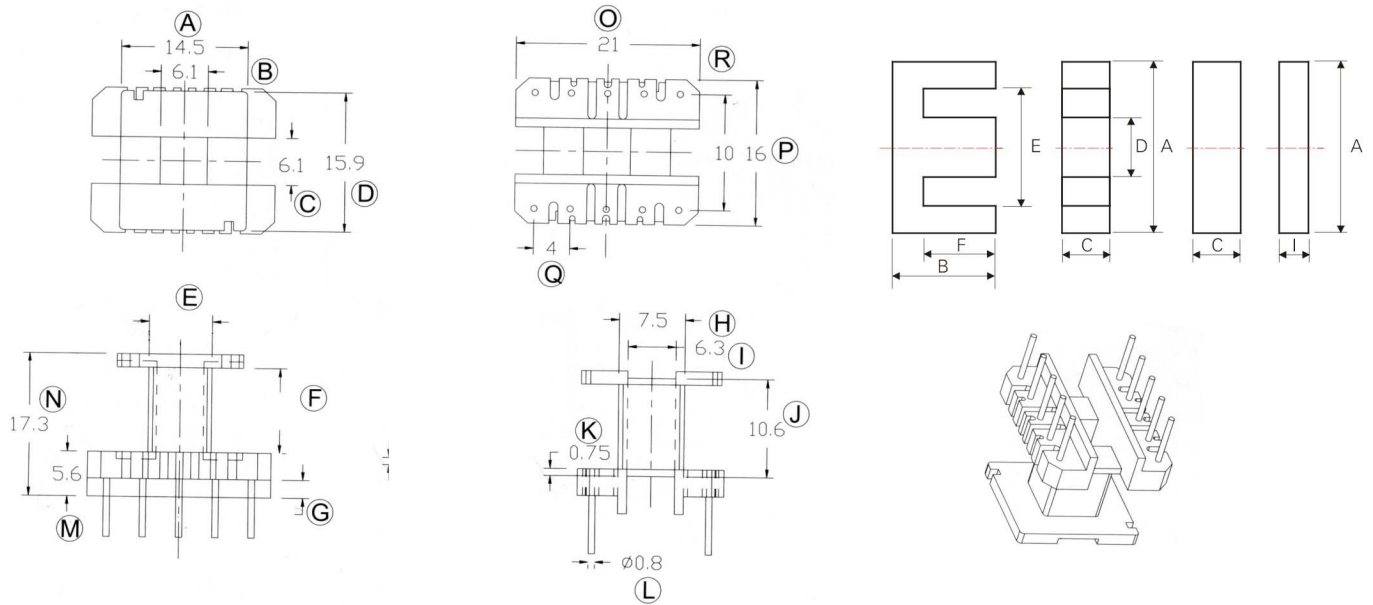
### How To Order

HG702    EI13    (M)    - □ □ □ □

材質      規格      鏡面拋光      Code  
Material    Core Size    Mirror Lapping



### Construction of Bobbin



規格 Core size	尺寸 Dimensions(mm)							有效參數 Effective parameters			
	A	B	C	D	E	F	I	C1 (mm <sup>-1</sup> )	Ae (mm <sup>2</sup> )	Le (mm)	Ve (mm <sup>3</sup> )
EI10	10.0±0.3	5.5±0.2	4.7±0.2	2.4±0.2	7.8±0.2	4.2±0.2	1.1±0.1	1.59	11.0	17.5	192.4
EI10.2	10.2±0.3	7.6±0.2	4.8±0.2	2.4±0.2	7.8±0.2	6.45±0.2	1.1±0.1	1.94	11.3	21.9	247.1
EI12.5	12.5±0.2	7.5±0.2	5.0±0.2	2.5±0.2	9.3±0.2	5.0±0.15	1.6±0.15	1.36	15.7	21.4	336.9
EI13	13.0±0.3	10.6±0.3	6.15±0.3	2.8±0.2	10.2±0.2	9.2±0.2	1.4±0.2	1.77	17.1	30.2	517.3
EI16	16.0±0.3	11.3±0.3	4.8±0.2	4.0±0.2	12.0±0.3	10.2±0.2	2.05±0.2	1.78	19.6	34.5	679.6
EI19	19.0±0.3	13.4±0.2	5.0±0.2	4.8±0.2	14.0±0.3	11.3±0.3	2.4±0.2	1.68	23.3	39.2	914.2
EI22	22.0±0.4	15.0±0.2	5.7±0.3	5.7±0.3	15.6	11.0±0.3	4.0±0.2	1.30	37.3	42.3	1597
EI25	25.0±0.4	16.8±0.3	6.55±0.3	6.55±0.3	19.0±0.3	13.6±0.3	3.2±0.2	1.17	42.2	49.4	2084
EI25.4	25.4±0.4	16.0±0.3	6.35±0.3	6.35±0.3	19.0±0.3	12.9±0.3	3.2±0.2	1.19	40.4	48.0	1942
EI28	26.0±0.4	17.0±0.3	10.7±0.3	10.7±0.3	18.8±0.3	12.5±0.3	3.5±0.2	0.57	86.1	49.0	4215

規格 Core size	電感因數 AL(nH/N <sup>2</sup> ) ± 25%					
	HG302	HG502 HS502	HG702 HS702	HG103 HS103	HG123	HG153
EI10			1500			
EI10.2		1400	1650			
EI12.5		1600	1950			
EI13		1600	1950			
EI16		1700	1950			
EI19		2200	2600			
EI22		2750	4000	5330	6660	8850
EI25		3800	4300			
EI25.4		3000	4200			
EI28		5000	6800			