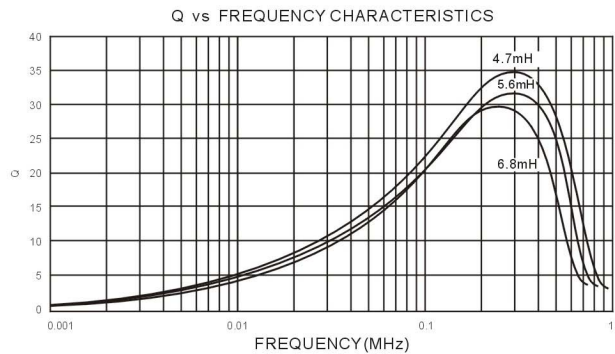
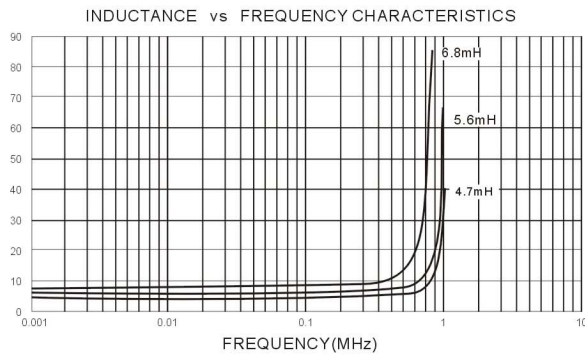


## Electrical Characteristics

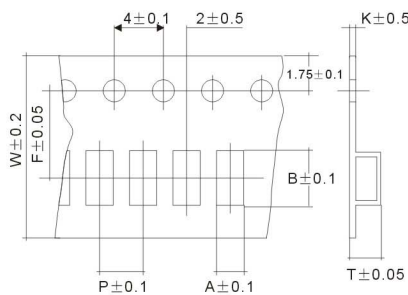
Part Number	Inductance (mH)	Tolerance ( $\pm\%$ )	Q min.	Test Frequency (MHz)	SRF (MHz) min.	DC Resistance ( $\Omega$ ) max.	IDC (mA) max.
LNM565050T-122J	1.2	10/5	30	0.252	1.5	17	75
LNM565050T-152J	1.5	10/5	30	0.252	1.4	20	70
LNM565050T-182J	1.8	10/5	30	0.252	1.3	30	60
LNM565050T-222J	2.2	10/5	30	0.252	1.2	35	55
LNM565050T-272J	2.7	10/5	30	0.252	1.1	55	45
LNM565050T-332J	3.3	10/5	30	0.252	1.0	60	40
LNM565050T-392J	3.9	10/5	30	0.252	1.0	70	38
LNM565050T-472J	4.7	10/5	30	0.252	0.9	78	36
LNM565050T-562J	5.6	10/5	30	0.252	0.8	85	33
LNM565050T-682J	6.8	10/5	30	0.252	0.7	110	30
LNM565050T-822J	8.2	10/5	30	0.252	0.6	125	28
LNM565050T-103J	10.0	10/5	20	0.0796	0.5	150	25

## Test Instruments : HP4291A Impedance / Material Analyzer

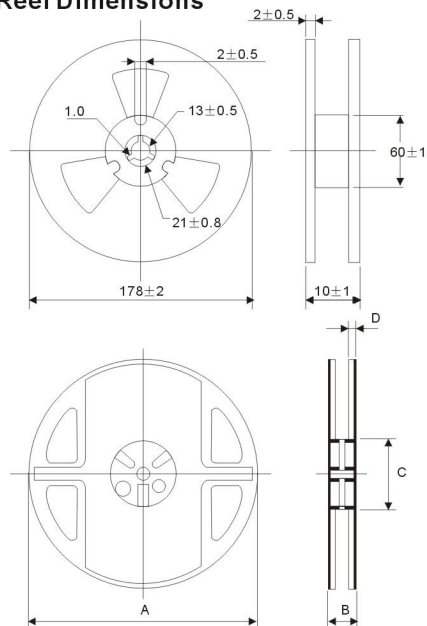


## Packaging Specifications

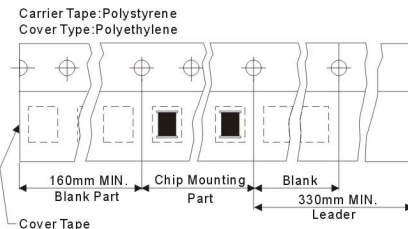
### Tape Dimensions



### Reel Dimensions



### Tape Materials



## Dimensions in mm

TYPE	Tape Dimensions							Reel Dimensions				Quantity / Reel	
	A	B	T	W	P	F	K	Fig	A	B	C		D
LNM322522	2.96	3.60	2.40	8	4	3.5	0.23	2	178	60	12	1.5	2000
LNM453232	3.30	5.00	3.50	12	8	5.5	0.30	2	178	60	16	1.4	500
LNM565050	5.35	6.10	3.50	16	12	7.5	0.35	1	330	100	22	23	1000