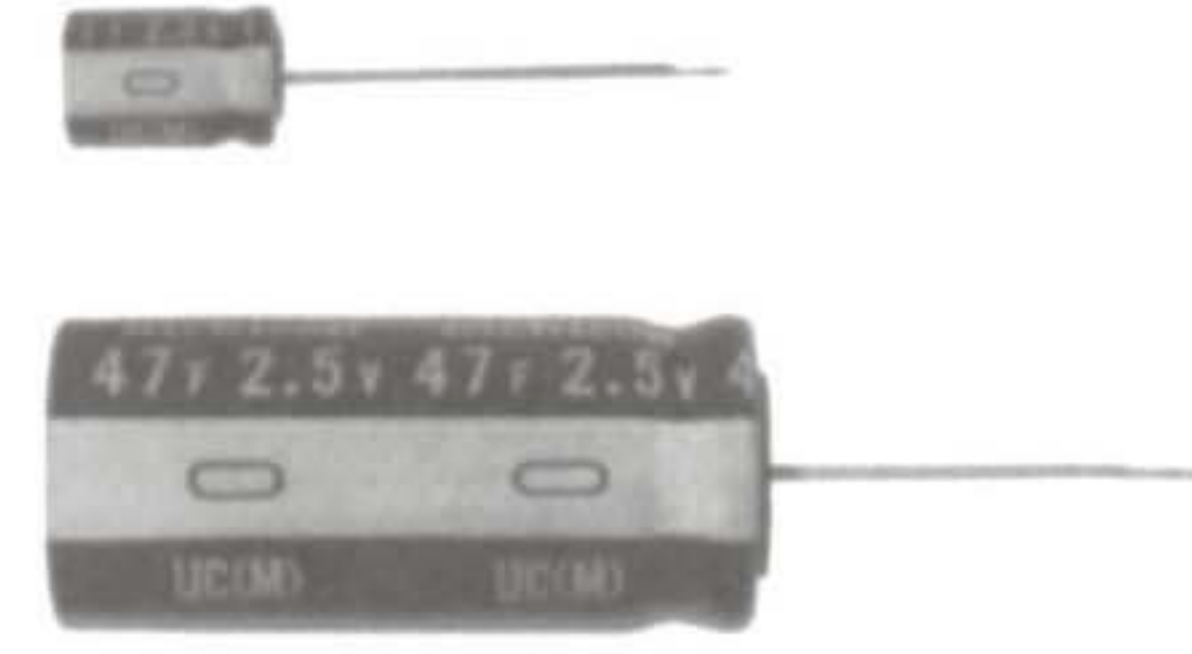


UDC Series Double Layer 法拉級電容品

Features

- Highly reliable capacitors that with stand long life.

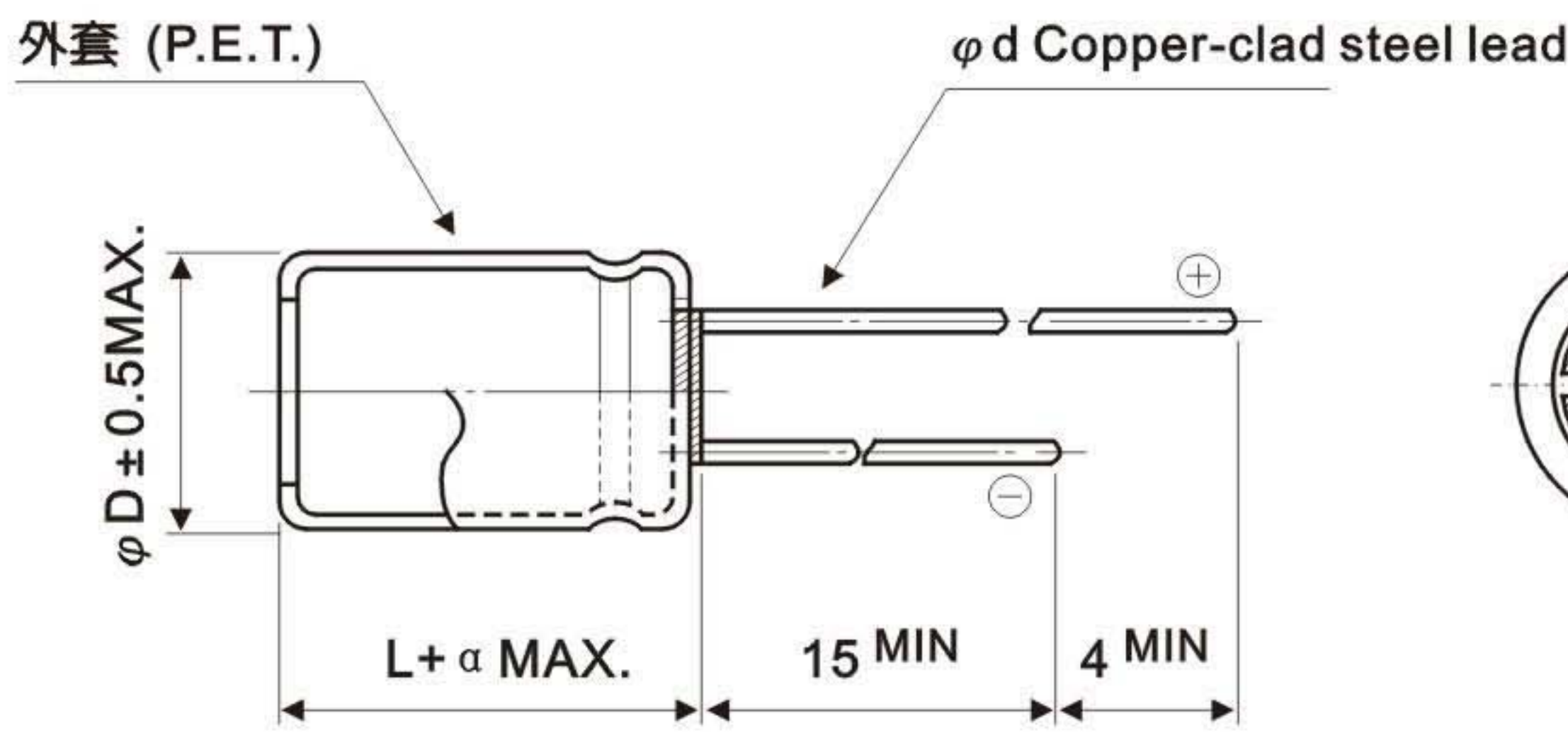


Specifications

No	Item	Performance Characteristics
1	使用溫度範圍 Operating Temperature Range	-25 to +70°C
2	定格電壓範圍 Rated voltage Range	2.5VDC
3	靜電容量許差 Capacitance Tolerance	±20% at 120Hz, 20°C
4	靜電容量範圍 Capacitance Range	0.47F to 47F
5	漏電電流 Leakage Current(+20°C,max.)	$I \leq 0.5CV$ (mA) After 30 minutes, whichever is greater measured With rated working voltage applied
6	高溫負荷特性 Load Life	After 1000 hours, application of rated voltage at 70°C, capacitors meet the characteristics requirements listed as follows.
7	高溫無負荷特性 Shelf Life	Test conditions Duration time :1000Hrs Ambient temperature :+70°C Applied voltage:None After test requirements at +20°C: Same limits as Load life .Pre-treatment for measurements shall be conducted after application of DC working voltage for 30 minutes.

136

Outline drawing:(Unit:mm) 04型



(單位:mm)

φD	6.3	8	10	12.5	16	18
P	2.5	3.5	5.0	5.0	7.5	7.5
φd	0.5	0.6	0.6	0.6*	0.6	0.8

φD=12.5, L>25, φd=0.8mm

α	(φD<10)	1.0
	(φD>10)	1.0

Dimension

Rated voltage (Code)	Capacitance (F)	Code	ESR※1kHz時 (Ω)	DCR※ (Ω)	Size φD×L (mm)
2.5V (0E)	0.47	474	7	11	6.3×11
	1.0	105	2	5	8×11.5
	2.2	225	1	2	8×20
	3.3	335	1	1.5	10×20
	4.7	475	0.5	1	12.5×20
	10	106	0.1	0.5	12.5×31.5
	10	106	0.1	0.55	10×40
	22	226	0.1	0.3	16×31.5
	33	336	0.1	0.2	18×31.5
47	476	0.1	0.2	18×40	

※注1 關於額定靜電容量的計算，可在額定電壓(2.5V)下充電30分鐘後，以I(A)=0.01×公稱容量進行放電，測定從2V降到1V所需的時間ΔT(Sec.)，然後按下式計算得出。
As count of rated capacitance as below formula to charge after 30mins in 2.5V with I(A)=0.01×capacitance(then discharge),test the time ΔT(Sec.) Which need from 2V flow to 1V.
額定靜電容量 (F) = I × ΔT
Rated capacitance (F) = I × ΔT

※ESR:等效串聯電阻(effective series resistance)
※DCR:直流內部電阻(direct current inside resistance)