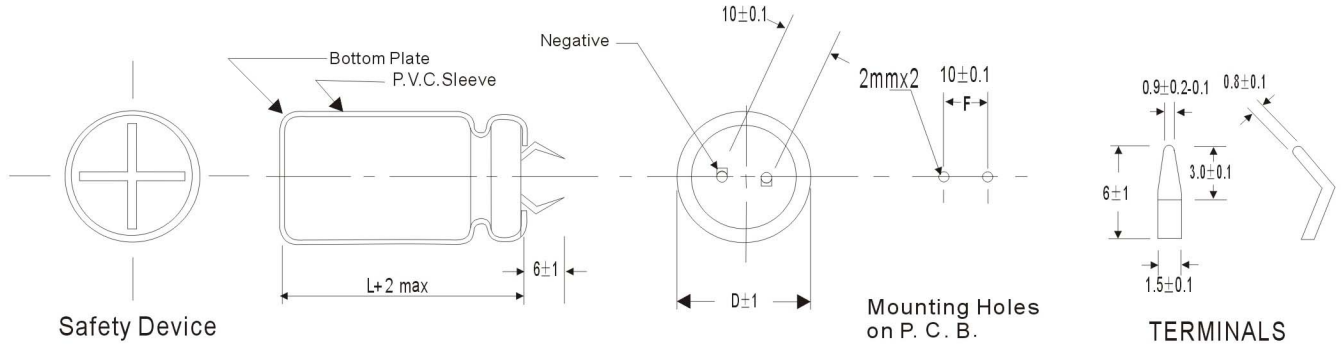
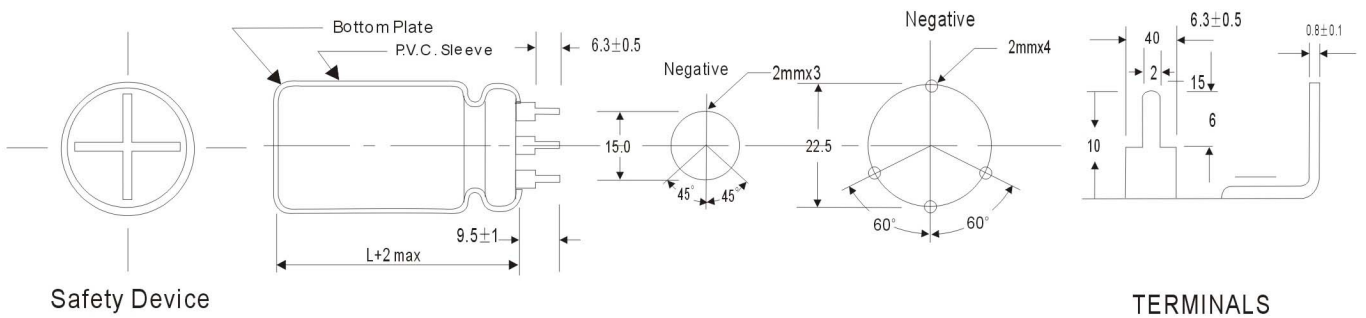


Outline drawing: (Unit:mm)

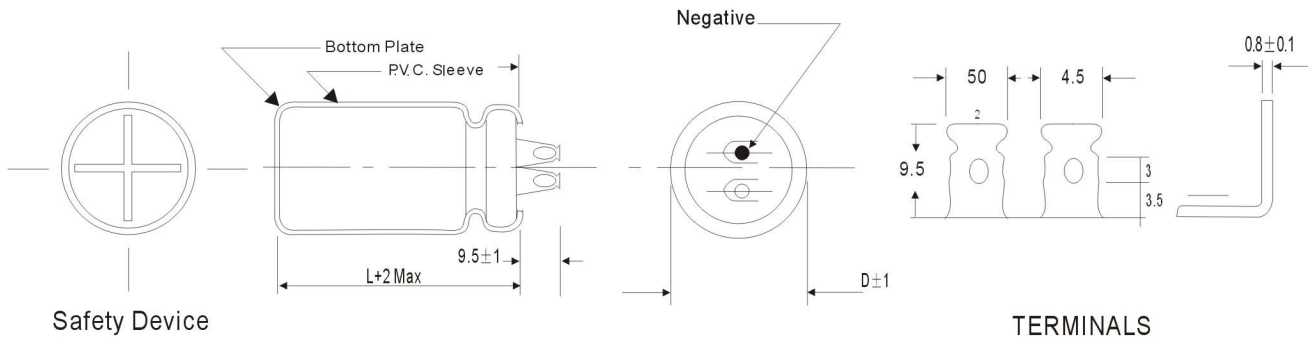
SYMBOL G : P. C.B. TERMINAL(SNAP-IN)



SYMBOL G : P.C.B. TERMINAL



SYMBOL V : LUG TERMINAL



Multiplier for Ripple Current vs. Frequency

Frequency (Hz)	50	120	300	1K	10K	50K
10~50VDC	0.95	1	1.03	1.05	1.08	1.08
63~100VDC	0.93	1	1.07	1.13	1.19	1.20
160, 250VDC	0.81	1	1.17	1.32	1.45	1.50
350, 400VDC	0.77	1	1.16	1.30	1.41	1.43