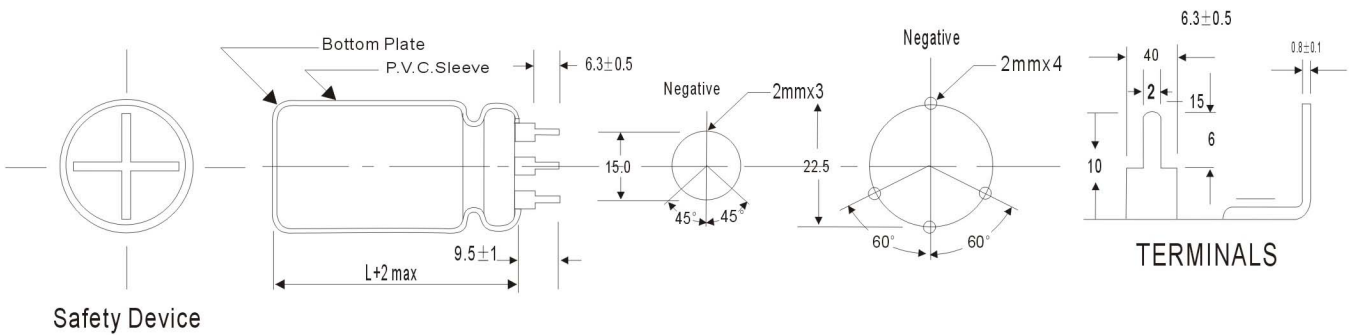
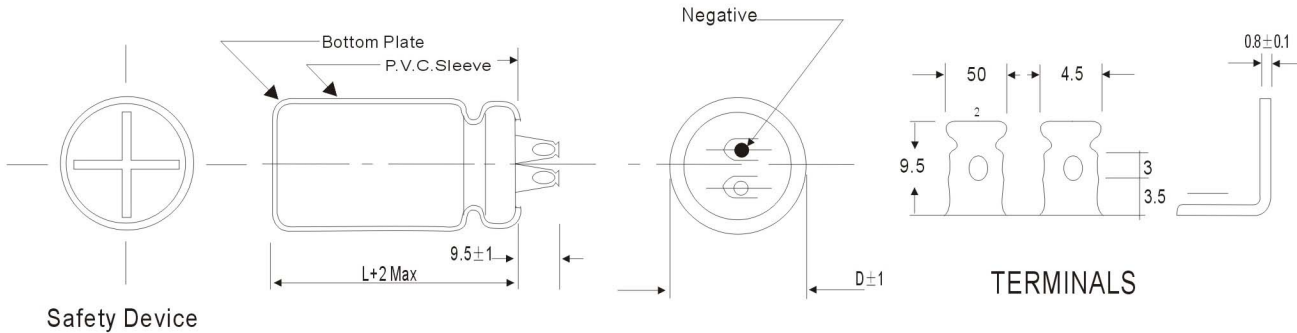


SYMBOL G : P.C.B. TERMINAL



SYMBOL V : LUG TERMINAL



Multiplier for Ripple Current vs. Frequency

CAP (μ F)\Hz	50(60)	120	400	1K	10K	50K-100k
10<CAP≤100	0.8	1	1.23	1.36	1.48	1.53
100<CAP≤1000	0.8	1	1.16	1.25	1.35	1.38
1000<CAP	0.8	1	1.11	1.17	1.25	1.28

Multiplier for Ripple Current vs. Temperature

Temperature °C	45	60	85	95	105
Multiplier	2.10	1.90	1.40	1.25	1.00

Case Size and Maximum Ripple Current: (A. rms 120Hz at 105°C)

WV	μ F	Case Size ΦDxL(mm)	I _r (A)	WV	μ F	Case Size ΦDxL(mm)	I _r (A)	WV	μ F	Case Size ΦDxL(mm)	I _r (A)	WV	μ F	Case Size ΦDxL(mm)	I _r (A)
10	4700	22x26	1.24	16	3300	22x21	1.17	25	2200	22x21	1.03	35	1000	22x21	
	6800	22x26	1.56		4700	22x26	1.53		3300	22x26	1.48		1500	22x26	1.26
	8200	22x31	2.04		6800	22x31	2.02		4700	22x31	1.92		2200	22x31	1.35
	10000	22x31	2.20		8200	25x26	2.20		5600	25x26	2.25		2200	25x26	1.35
	12000	25x26	2.20		10000	22x31	2.20		6800	22x31	2.25		3300	22x31	1.84
	12000	22x36	2.34		10000	25x32	2.79		6800	22x36	2.60		3300	25x26	1.84
	15000	35x31	2.76		10000	30x26	3.06		8200	22x41	3.0		3900	22x31	2.23
	15000	22x36	2.76		12000	25x41	3.24		8200	25x36	3.0		4700	22x36	2.61
	18000	25x31	2.94		12000	30x36	3.51		8200	30x31	3.0		4700	25x31	2.61
	18000	22x41	2.94		15000	22x41	3.51		10000	22x41	3.50		4700	30x26	2.61
	22000	25x36	3.12		15000	25x46	3.51		10000	25x36	3.50		5600	22x36	2.90
	22000	30x31	3.12		15000	30x36	3.51		10000	30x31	3.50		5600	25x31	2.90
	27000	35x27	3.48		18000	35x32	3.51		12000	35x27	4.02		5600	30x26	2.90
	27000	22x46	3.48		18000	22x51	3.51		12000	30x31	4.02		6800	22x41	3.24
	27000	25x42	3.48		22000	25x46	4.08		12000	35x27	4.02		6800	25x36	3.24
	27000	30x31	3.48		22000	30x36	4.08		15000	25x46	4.58		6800	30x31	3.24
33000	25x46	3.72	27000	35x32	4.30	15000	25x46	4.58	8200	35x27	3.57				
33000	30x36	3.72	33000	30x42	4.83	18000	30x36	4.58	8200	22x51	3.57				
39000	35x32	4.10	33000	35x37	4.83	18000	35x32	4.82	8200	25x41	3.57				
39000	30x41	4.10	39000	30x46	4.83	22000	25x51	5.12	8200	30x36	3.57				
47000	35x32	4.38	47000	35x47	5.72	22000	30x41	4.82	10000	25x46	3.96				
47000	30x46	4.38	47000	35x42	5.72	27000	35x37	5.12	10000	30x36	3.96				
56000	35x42	4.64	56000	30x51	7.05	27000	30x46	5.12	12000	35x32	4.21				
56000	35x42	4.64	56000	35x52	7.05	33000	35x42	5.47	12000	25x51	4.21				
68000	35x52	4.80	68000	35x52	7.05	33000	35x47	5.47	15000	30x41	4.21				
						47000	35x52	6.09	15000	35x37	4.21				
								7.52	18000	30x46	4.69				
									18000	35x42	4.69				
									22000	35x42	5.07				
									22000	35x52	5.50				
									33000	40x60	6.89				