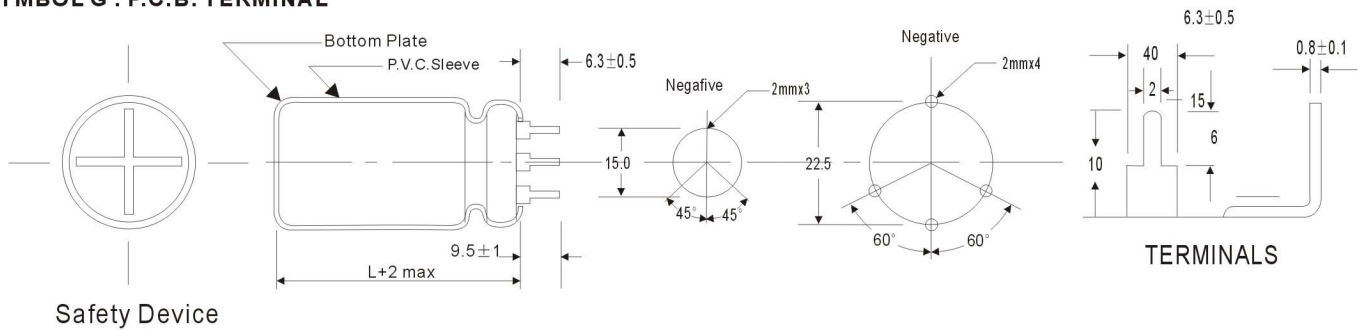
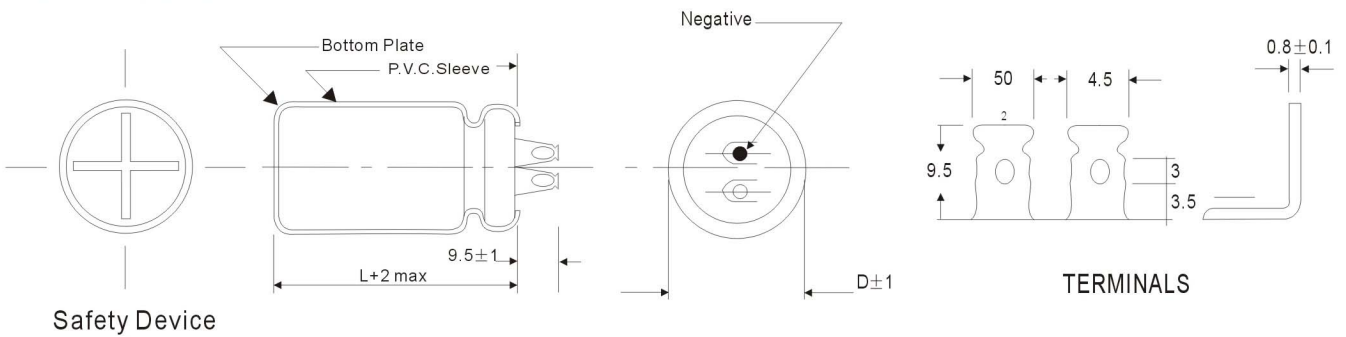


## SYMBOL G : P.C.B. TERMINAL



## SYMBOL V : LUG TERMINAL



136

### Multiplier for Ripple Current vs. Frequency

CAP (μ F)\Hz	50(60)	120	1K	10K	50K-100k
10<CAP≤100	0.8	1	1.36	1.48	1.53
100<CAP≤1000	0.8	1	1.25	1.35	1.38
1000<CAP	0.8	1	1.17	1.25	1.28

### Multiplier for Ripple Current vs. Temperature

Temperature °C	45	60	70	85
Multiplier	1.55	1.30	1.20	1.00

### Case Size and Maximum Ripple Current: Unit A. rms 120Hz at 85°C

WV	μ F	Case Size ΦDxL(mm)	I <sub>r</sub> (A)	WV	μ F	Case Size ΦDxL(mm)	I <sub>r</sub> (A)	WV	μ F	Case Size ΦDxL(mm)	I <sub>r</sub> (A)	WV	μ F	Case Size ΦDxL(mm)	I <sub>r</sub> (A)
10	4700	22x21	2.40	16	4700	22x21	2.40	25	3300	22x21	2.47	35	1500	22x21	2.60
	6800	22x26	2.84		6800	22x26	2.84		4700	22x26	2.64		2200	22x26	2.18
	8200	22x26	2.90		8200	22x26	2.90		5600	22x31	2.78		3300	22x26	2.46
	10000	22x31	3.06		10000	22x31	3.06		6800	22x31	2.93		3900	22x31	2.64
		25x26				25x26				4700				22x31	
	12000	22x31	3.43		12000	22x31	3.43		8200	22x26	3.05		4700	25x26	2.68
		25x26				25x26				25x36					
	15000	22x36	3.94		15000	22x36	3.94		10000	22x36	3.43		6800	25x31	3.06
		25x31				25x31				25x41					
	18000	22x41	4.34		18000	22x41	4.34		12000	30x26	3.84		10000	30x31	3.60
		25x31				25x31				25x36					
	22000	22x46	4.80		22000	22x46	4.80		15000	25x36	4.39		12000	35x32	4.08
		30x31				30x31				30x41					
	27000	25x46	7.57		27000	25x46	7.57		18000	30x31	4.80		15000	30x46	3.92
		30x36				30x36				35x37					
	33000	25x51	8.20		33000	25x51	8.20		22000	25x46	5.40		18000	35x32	4.70
30x41		30x41		30x51											
39000	30x46	8.33	39000	30x46	8.33	27000	30x46	5.97	22000	35x42	5.42				
	35x37			35x37			35x47								
47000	30x51	8.96	47000	30x51	8.96	33000	35x37	6.24	27000	35x47	5.78				
	35x42			35x42			35x52								
56000	35x47	10.50	56000	35x47	10.50	39000	35x42	7.10	33000	35x52	6.36				
	35x52			35x52			47000			40x60		8.20			
68000	35x52	10.80	68000	35x52	10.80	47000	35x52	7.60							