

MPP & MPF Series 金屬化聚丙烯薄膜電容器(含浸型)

結構 CONSTRUCTION

MPP & MPF are non-inductively wound with metallized Polypropylene film as dielectric/enetrode with copper-clad steel leads with epoxy resin coating. They are suitable for blocking, filtering, by-pass, coupling, decoupling and timing circuits with application in telecommunication, data processing, industrial instruments and automatic control system equipments.

聚丙烯膜介質，真空蒸金屬電極，徑向鍍錫導線點焊于電容器兩端面金屬，環氧樹脂封裝。

特點 FEATURE

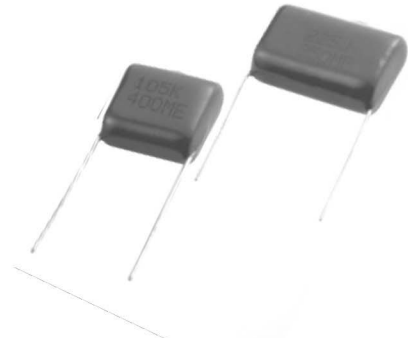
- Non-inductive and self-healing.
- Low DF and high IR.
- High stability of capacitance and DF versus temperature and frequency.
- Very small inherent temperature rise.

無感型，自愈性。
低耗損，高絕緣。
容量、耗損隨溫度頻率具高穩定性。
極低內部溫升。

用途 APPLICATION

- General resonance circuit.
- Widely used in DC pulse, high frequency and high current circuit.
- Providing optimum performance with small size in s-shaping correction of Colour TV set.

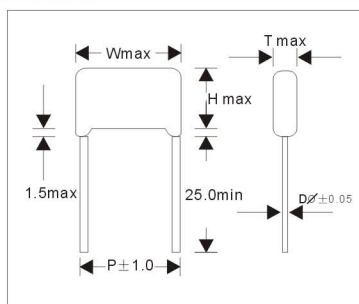
諧振回路。
適用於真流、脈衝高頻大電流回路。
適用於要求體積小性能優的彩電S校正電路



技術要求 SPECIFICATIONS

引用標準Reference Standard	IEC 384-16; GB; GB 10190		
溫度範圍Temperature Range	-40°C~~+85°C (From 85°C up to 105°C with derating voltage 1.25%/°C 85°C至105°C間按1.25%/°C遞減電壓)		
靜電容量誤差 Capacitance Tolerance	M=±20%	K=±10%	J=±5%
散逸因素(損耗正切) Dissipation Factor (Tangent of Loss)	≤0.10% (at 20°C, 1KHZ)		
耐電壓 Voltage Proof	1.6*U _R (1 minute at 20°C)		
絕緣電阻 Insulation Resistance	C≤0.10 μF IR≥IR≥30,000M Ω (1 minute at 20°C) C≤0.10 μF IR≥IR*C≥3,000 Ω F and Rh≤65%		
耐久性 Endurance	1000hours with 125% of rated voltage at 85°C after the test 85°C條件下，125%之客定電壓1000小時，試驗完成后 △C/C≤2% △(DF)≤0.04%; C>0.1μF;IR*C≥1500ΩF;C≤0.10μF;IR≥15000MΩ(at 20°C, 1KHZ)		

外型圖 OUTLINE DRAWING



尺寸 (DIMENSIONS)

單位: Unit:mm

容量 CAPACITANCE	250VDC				400VDC				630VDC				1KVDC						
	SYMBOL	μF	W	H	T	P	d∅	W	H	T	P	d∅	W	H	T	P			
103	0.010	13.0	10.0	6.0	10.0	0.6	13.0	10.0	6.0	10.0	0.6	13.0	11.0	7.0	10.0	13.0	11.0	7.0	10.0
153	0.015	13.0	10.0	6.0	10.0	0.6	13.0	10.0	6.0	10.0	0.6	13.0	11.5	7.5	10.0	13.0	12.0	8.0	10.0
223	0.022	13.0	11.0	7.0	10.0	0.6	13.0	10.0	6.0	10.0	0.6	13.0	12.5	7.5	10.0	13.0	15.0	9.0	10.0
333	0.033	13.0	11.0	7.0	10.0	0.6	13.0	10.0	6.0	10.0	0.6	13/18	13.0	8.0	10/15	18.0	15.0	9.0	15.0
473	0.047	13.0	11.0	7.0	10.0	0.6	13.0	11.0	7.0	10.0	0.6	18.0	14.0	9.0	15.0	18.0	17.0	10.0	15.0
683	0.068	13.0	12.5	7.5	10.0	0.6	13/18	12.0	7.0	10/15	0.8	18.0	15.0	9.0	15.0	18.0	19.0	11.0	15.0
104	0.10	13.0	12.5	8.0	10.0	0.8	13/18	13.0	8.0	10/15	0.8	18.0	16.0	10.0	15.0	18.0	22.0	13.0	15.0
154	0.15	13.0	14.0	8.5	10.0	0.8	18.0	14.0	9.0	15.0	0.8	18/24	18.0	11.0	15/20	18.0	23.0	14.0	15.0
224	0.22	18.0	14.0	9.0	15.0	0.8	18.0	15.0	10.0	15.0	0.8	18/24	21.0	12.0	15/20	24.0	23.0	14.0	20.0
334	0.33	18.0	16.0	9.0	15.0	0.8	18/24	16.0	11.0	15/20	0.8	24.5	21.5	13.0	20/22.5	31.0	20.0	13.0	27.5
474	0.47	18.0	18.0	10.0	15.0	0.8	18/24	18.0	11.0	15/20	0.8	25/31	22.0	14.0	22.5/27.5	31.0	22.0	14.0	27.5
684	0.68	24.0	17.5	11.5	20.0	0.8	24.0	20.0	12.0	20/22.5	0.8	25/31	24.0	15.0	22.5/27.5	31.0	24.0	15.0	27.5
105	1.0	24.0	20.0	11.5	20.0	0.8	24/31	21.0	14.0	22.5/27.5	0.8	31.0	25.0	16.0	27.5	31.0	27.0	18.0	27.5
155	1.5	31.0	22.0	13.0	27.5	0.8	31.0	22.0	16.0	27.5	0.8	31.0	27.0	17.0	27.5				
225	2.3	31.0	25.0	15.5	27.5	0.8	31.0	25.0	17.0	27.5	0.8	31.0	29.0	18.0	27.5				
335	3.3	31.0	27.0	17.0	27.5	0.8	31.0	28.0	17.0	27.5	0.8								

可依需求制作特殊規程 (SPECIAL SIZE OR ITEMS ON REQUEST)