

Y2M Series 跨接抑制射頻突波電容器

FOR INTERFERENCE SUPPRESSION AND ACROSS-THE-LINE, CLASS Y2

INTRODUCTION

Y2 are non-inductively wound with a metallized polypropylene film dielectric/electrode, encapsulated in flame retardant(UL94, V-0) plastic case and epoxy resin end seal.

Y2

- S Tinned copper clad steel wire radial leads.
- P UL 1015 or UL 1017 AwG#16~24 solid PVC insulation wire radial leads.

Applications

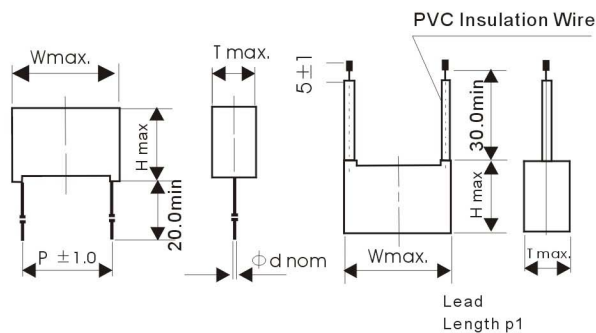
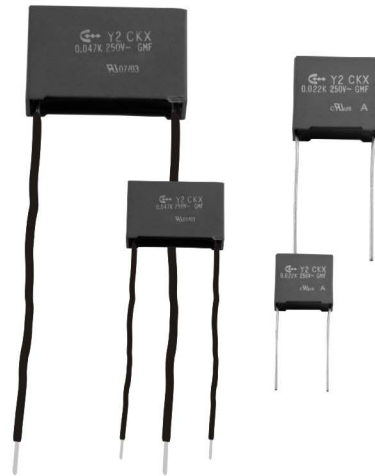
- Ideal for use in line by pass, antenna coupling, across-the line and spark killer circuits.
- Available for EMI filter.
- Switching power supply application.
- Business machines appliances, such as: typewriters, adding machines, computer displays ad monitors.
- Household appliances, such as: mixers, fans, coffee grnders audion and circuits.
- Thyristor and triac appliances, such as: dimmers:

Features

- Provides interference suppression, all safety approval
- Cvervoltage stress withstanding
- Self-healing properties
- Active and passive flame retardent

SPECIFICATIONS

- Climate Category: In accordance with DIN40040 GMF
a/G=Minimum Limit Temperature...-40°C
b/M=Maximum Limit Temperature...+100°C
c/F=Humidity Category...Average relative humidity ≤75%, 95% for 30 days per year, continuously; 85% for the remaining days, occasionally.
- Rated Voltage:..... 250 V.AC, 50~60Hz
- Capacitance Range:.....0.001~0.1 μ F
- Capacitance Tolerance:
- Withstand Voltage: J(±5%), K(±10%), (M±20%)
a/Between Terminals..1200V.AC, 60HZ OR 2700 V.DC 1s.
b/Between Terminals and Case.....2200 V.AC. 60Hz 60s.
- Dissipation Factor:
a/≤0.1% at 1 Khz and 20°C
b/≤0.3% 10 Khz and 20°C
- Insulation Resistance:
a/Between Terminals.....≥3×10⁴MΩ for c≤0.33 μ F;
≥1×10⁴MΩ/μ F for C>0.33 μ F;
b/Between Terminals and Case.....≥3×10⁴MΩ
- Measured at 100±15V.DC, 60s 20°C



Wire Size:
AWG#22 for W=18.0mm.
AWG#20 for W≤26.5mm

Dimension(mm)

| 符號 SYMBOL | μ F | W | H | T | P | dΦ |
|--------------|--------|---------|---------|--------|---------|-----|
| 472 | 0.0047 | 13.0 | 11.0 | 5.0 | 10.0 | 0.6 |
| 562 | 0.0056 | 13.0 | 11.0 | 5.0 | 10.0 | 0.6 |
| 682 | 0.0068 | 13.0 | 11.0 | 5.0 | 10.0 | 0.6 |
| 822 | 0.0082 | 13.0 | 11.0 | 5.0 | 10.0 | 0.6 |
| 103 | 0.010 | 13/18 | 11.0 | 5.0 | 10/15 | 0.6 |
| 123 | 0.012 | 13/18 | 11.0 | 5.0 | 10/15 | 0.6 |
| 153 | 0.015 | 13/18 | 12/11 | 6/5 | 10/15 | 0.6 |
| 183 | 0.018 | 13/18 | 12/11 | 6.0 | 10/15 | 0.6 |
| 223 | 0.022 | 18.0 | 12.0 | 6.0 | 15.0 | 0.6 |
| 273 | 0.027 | 18.0 | 12.0 | 6.0 | 15.0 | 0.6 |
| 333 | 0.033 | 18.0 | 13.0 | 7.0 | 15.0 | 0.6 |
| 393 | 0.039 | 18.0 | 13.0 | 7.0 | 15.0 | 0.8 |
| 473 | 0.047 | 18.0 | 13.5 | 7.5 | 15.0 | 0.8 |
| 563 | 0.056 | 18.0 | 14.5 | 8.5 | 15.0 | 0.8 |
| 683 | 0.068 | 18.0 | 16.5 | 10 | 15.0 | 0.8 |
| 823 | 0.082 | 18/26.5 | 18/16.5 | 10/7 | 15/22.5 | 0.8 |
| 104 | 0.10 | 18/26.5 | 19/17.5 | 11/8.5 | 15/22.5 | 0.8 |