

低壓避雷器

外形尺寸 Dimensions

unit: mm

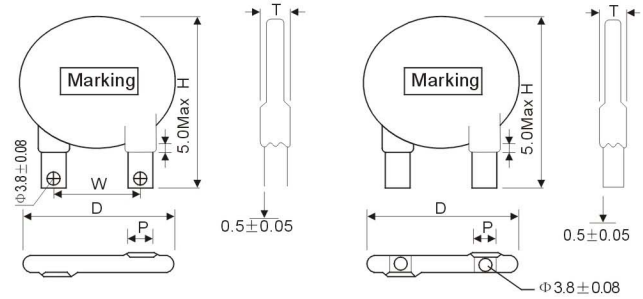
| Model Symbol | 25D | 32D | 40D | 53D | 40LS | 40LS CPD |
|--------------|------|------|------|------|------|----------|
| D(max.) | 30.0 | 37.0 | 45.0 | 58.0 | 40.0 | 40.0 |
| H(max.) | 45.0 | 50.0 | 60.0 | 80.0 | 56.0 | 56.0 |
| W(±1.0) | 20.0 | 25.4 | 25.4 | 25.4 | 25.4 | 25.4 |
| P(±0.2) | 7.0 | 7.0 | 7.0 | 9.5 | 7.0 | 7.0 |

厚度尺寸 Tmax

| Model Symbol | 25D | 32D | 40D | 53D | 40LS | 40LS CPD |
|--------------|------|------|------|------|------|----------|
| 130C | 9.0 | 9.0 | 9.0 | 9.0 | 9.0 | 10.5 |
| 140C | 9.0 | 9.0 | 9.0 | 9.0 | 9.0 | 10.5 |
| 150C | 9.2 | 9.2 | 9.2 | 9.2 | 9.2 | 11.0 |
| 175C | 9.5 | 9.5 | 9.5 | 9.5 | 9.5 | 11.5 |
| 195C | 9.5 | 9.5 | 9.5 | 9.5 | 9.5 | 11.5 |
| 210C | 9.7 | 9.7 | 9.7 | 9.7 | 9.7 | 12.0 |
| 230C | 9.7 | 9.7 | 9.7 | 9.7 | 9.7 | 12.0 |
| 250C | 10.3 | 10.3 | 10.3 | 10.3 | 10.3 | 12.5 |
| 275C | 10.6 | 10.6 | 10.6 | 10.6 | 10.6 | 13.0 |
| 300C | 10.6 | 10.6 | 10.6 | 10.6 | 10.6 | 13.0 |
| 320C | 11.2 | 11.2 | 11.2 | 11.2 | 11.2 | 14.0 |
| 345C | 11.2 | 11.2 | 11.2 | 11.2 | 11.2 | 14.0 |
| 385C | 11.6 | 11.6 | 11.6 | 11.6 | 11.6 | 15.0 |
| 420C | 11.6 | 11.6 | 11.6 | 11.6 | 11.6 | 15.0 |
| 460C | 11.8 | 11.8 | 11.8 | 11.8 | 11.8 | 15.5 |
| 485C | 11.8 | 11.8 | 11.8 | 11.8 | 11.8 | 15.5 |
| 510C | 11.8 | 11.8 | 11.8 | 11.8 | 11.8 | 16.0 |
| 550C | 12.0 | 12.0 | 12.0 | 12.0 | 12.0 | 17.0 |
| 625C | 12.6 | 12.6 | 12.6 | 12.6 | 12.6 | 17.0 |
| 680C | 13.2 | 13.2 | 13.2 | 13.2 | 13.2 | 18.0 |

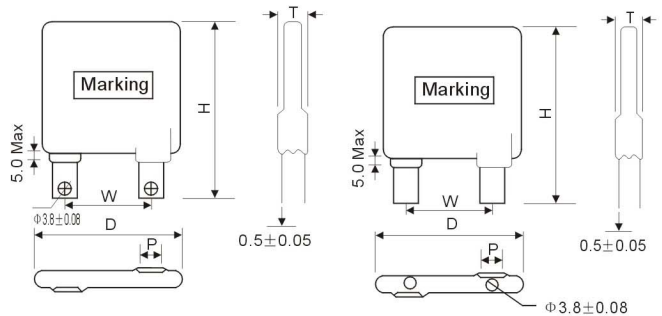
25D,32D,40D,53D CP Series

25D,32D,40D,53D CL Series

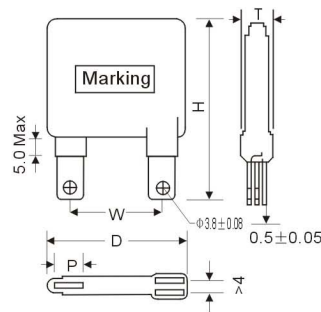


40LS CP Series

40LS CL Series



40LS CPD Series (double disc)



Impulse Life Time Rating Curves

25MM 系列 25mm Series

2 times: 5 minutes interval
 up to 10 times: 2 minutes interval
 up to 10⁶ times: 10 seconds interval

