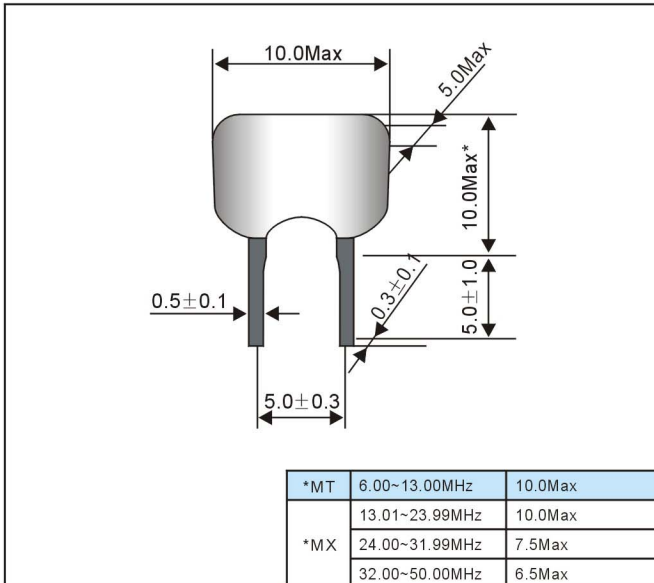


## Series ZTA



### External dimensions

Unit: mm

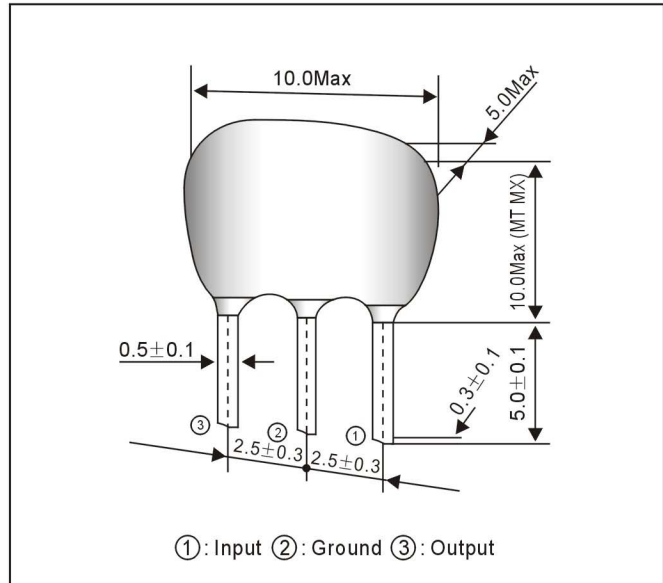


## Series ZTT



### External dimensions

Unit: mm



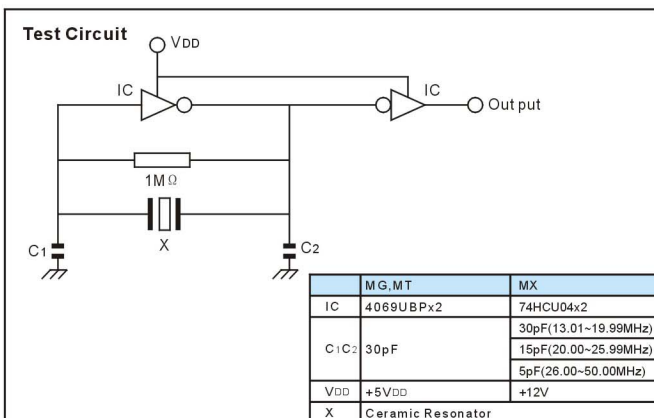
Item	Specification	Remarks
Series	ZTAMT ZTA MX	<6.00MHz are offered
Frequency Range	6.00MHz to 13.00MHz 13.01MHz to 50.00MHz	Others are offered
Frequency Accuracy(25°C)	±0.5% Max	-20°C to +80°C
Stability In Temperature	±0.3%	
Operating Temperature Range	-20°C to +80°C	
Storage Temperature Range	-30°C to +85°C	D.C.
Rating Voltage	D.C.Voltage 6V Max	A.C.
	A.C.Voltage 15Vpp	
Resonant Impedance	≤3.00MHz,50Ω Max; >3.00MHz,30Ω Max	D.C.100V
Insulated Resistance	≥100MΩ	Maximum
Withstanding Voltage	D.C.100V 5sec	Maximum
Aging For Ten Years	±0.3%	

Remark: All specifications subject to change without notice.

Item	Specification	Remarks
Series	ZTT MT ZTT MX	<6.00MHz are offered
Frequency Range	6.00MHz to 13.00MHz 13.01MHz to 50.00MHz	Others are offered
Frequency Accuracy(25°C)	±0.5% Max	-20°C to +80°C
Stability In Temperature	±0.3%	
Operating Temperature Range	-20°C to +80°C	
Storage Temperature Range	-30°C to +85°C	D.C.
Rating Voltage	D.C.Voltage 6V Max	A.C.
	A.C.Voltage 15Vpp	
Resonant Impedance	≤3.00MHz,50Ω Max; >3.00MHz,30Ω Max	D.C.10V
Insulated Resistance	≥100MΩ	Maximum
Withstanding Voltage	D.C.100V 5sec	Maximum
Aging For Ten Years	±0.3%	

Remark: All specifications subject to change without notice.

### Test Circuit for MOS IC



### Test Circuit for MOS IC

