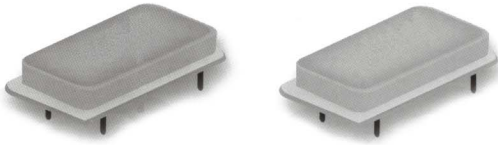
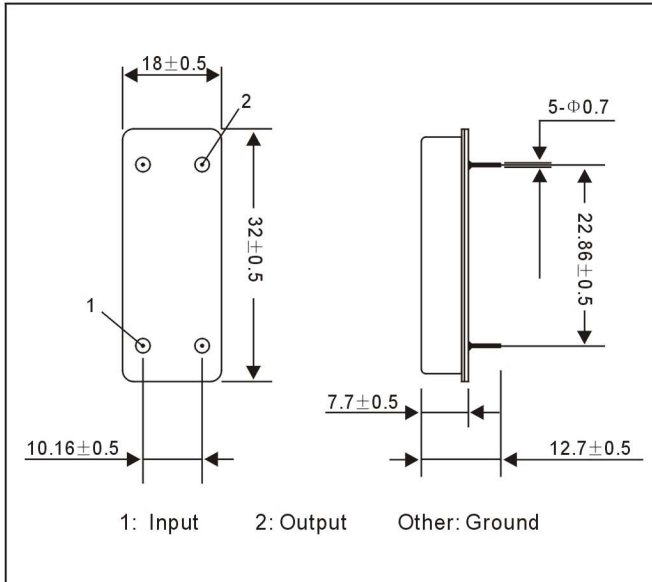


## Series SAW42M24



### External dimensions

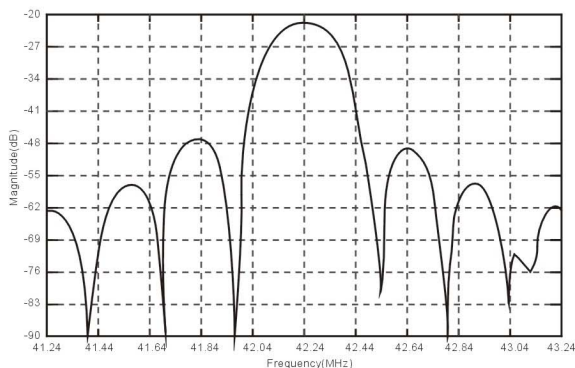
Unit: mm



### SAW42.24M Filter Electrical Characteristic (Others are offered)

Parameter	Unit	Minimum	Typical	Maximum
Center Frequency	MHz	42.22	42.24	42.26
Insertion Loss	dB		21	23
Q		200		
3 dB Bandwidth	MHz		0.18	
40 dB Bandwidth	MHz			28.5
Passband Variation	dB		0.3	0.7
Phase	nsec			
Absolute Delay				
Ultimate Rejection	dB	40	45	
Substrate Material		QZ		
Ambient Temperature	°C	25		
Package Size		LMZ-8 (32x18x7.7mm <sup>3</sup> )		

### Typical Performance

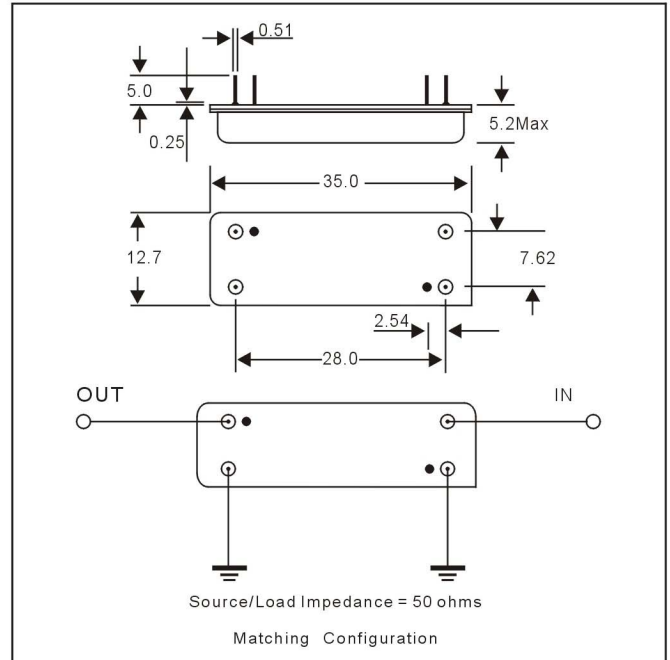


## Series SAW90M



### External dimensions

Unit: mm



### SAW90M Filter Electrical Characteristic (Others are offered)

Parameter	Unit	Minimum	Typical	Maximum
Center Frequency	MHz	89.875	90	90.125
Insertion Loss	dB		34	35
1.5 dB Bandwidth	MHz	23.9	24.11	
20 dB Bandwidth	MHz		24.73	24.8
30 dB Bandwidth	MHz		24.86	26.2
40 dB Bandwidth	MHz		24.96	26.6
60 dB Bandwidth	MHz		25.05	26
Passband Variation	dB		1.2	1.5
Absolute Delay	usec		3.77	4.5
Ultimate Rejection	dB	45	50	
Substrate Material		YZ LN		
Ambient Temperature	°C	25		
Package Size		DIP3512(35x12.7x5.2mm <sup>3</sup> )		

### Typical Performance

